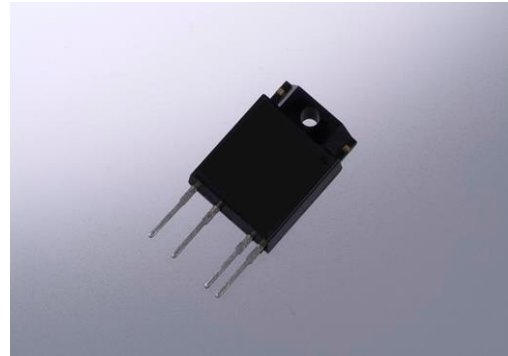


# New Product Information

## JT208SC/SN JT216SC/SN (Ultra Compact PCB Mounting SSR)

Maximum Load Current 8A・16A



### ■ Features

1. Maximum Load Current 8A・16A
2. Dielectric Strength AC4000V (Input-Output)
3. UL, C-UL Approved
4. Zero-cross and non zero-cross models available

### ■ Ratings

(Ta=25°C)

Item		Symbols	JT208SC	JT208SN	JT216SC	JT216SN	Units
Output	Rated Load Voltage		120, 240				VACrms
	Load Voltage Range	VO	35~280				VACrms
	Maximum Load Current	IoMAX	8		16		AACrms
	Peak 1 Cycle Surge Current	ISURGE	80 (60Hz)		160 (60Hz)		A
	Frequency	f	45~65				Hz
Input	Forward Current	If	50				mA
	Reverse Voltage	VR	6				V
General	Dielectric Strength	VISO	4,000/1 min. (Between input and output) (Rh40~60%)				VACrms
	Isolation Resistance	RISO	10 <sup>9</sup> and above DC500V (Between input and output) (Rh40~60%)				Ω
	Operating Temperature Range	TOPR	-25~+100				°C
	Storage Temperature Range	TSTG	-30~+125				°C

### ■ Electrical Characteristics

(Ta=25°C)

Item		Symbols	JT208SC	JT208SN	JT216SC	JT216SN	Units
Output	Off State Leakage Current	ILEK	100 and below (Vdrm600V)				μA
	On State Voltage Drop	VSAT	1.5 and below (Io=8A, If=20mA, Resistance Load)		1.5 and below (Io=16A, If=20mA, Resistance Load)		VACrms
	Holding Current	IH	50 and below				mA
Input	Forward Voltage	VF	1.4 and below (If=10mA)				VDC
	Reverse Current	IR	100 and below (VR=5V)				μA
	Minimum Trigger Current	IFT	10 and below				mA
General	Operate Time	TON	1/2cycle+1ms and below	1ms and below	1/2cycle+1ms and below	1ms and below	
	Release Time	TOFF	1/2cycle+1ms and below				
	Zero Cross Turn On		Built In	Not Built In	Built In	Not Built In	
	Approved Standards		UL, C-UL				

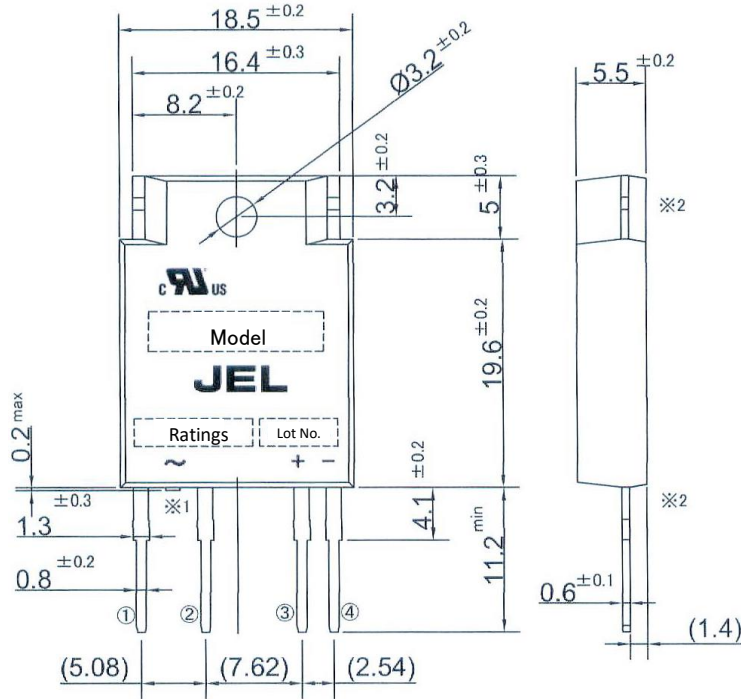
※Description is subject to change without prior notice.



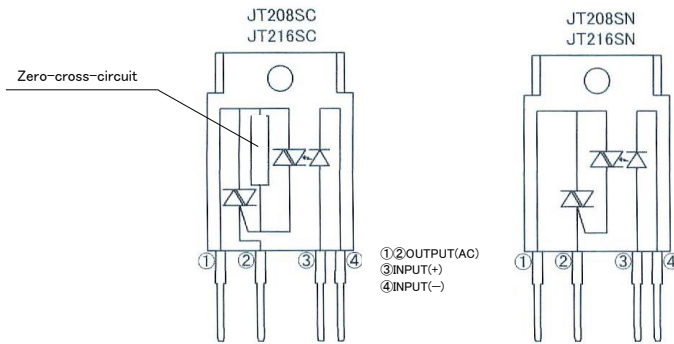
JEL SYSTEM CO., LTD.

Avista Ichigaya Building 8F 4-2-11 Kudan-minami, Chiyoda-ku Tokyo, 102-0074 Japan  
tel : +81-3-5211-5612 / fax : +81-3-5210-3022 URL : <https://www.jelsystem.co.jp>  
e-mail : [contact1@jelsystem.co.jp](mailto:contact1@jelsystem.co.jp)

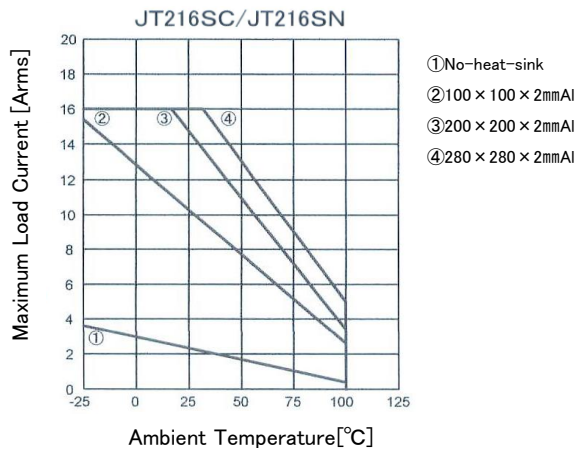
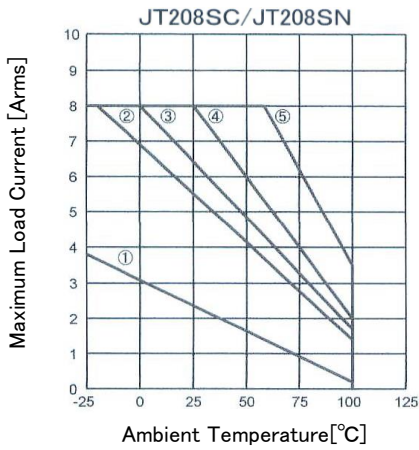
## ■ Dimensions(mm)



## ■ Equivalent Circuit



## ■ Characteristics



※Description is subject to change without prior notice.