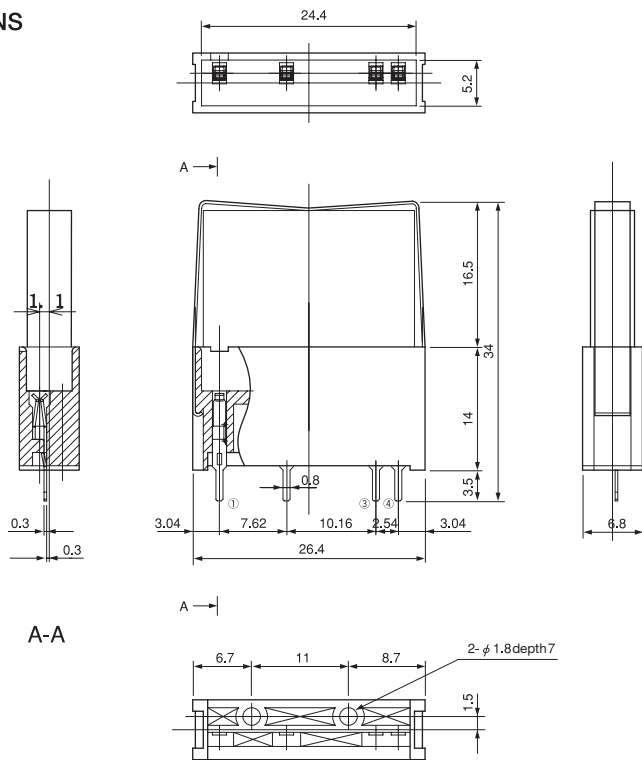


Option

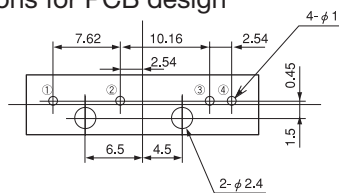
SOCKET

MODEL	PS-J201
SUITABLE SSR	J2 SERIES

● DIMENSIONS



Dimensions for PCB design



※ Description in the catalogue is subject to change without notice. Please read the specifications thoroughly before using.
 ※ Please contact JEL SYSTEM for further information.