

PROXIMITY SWITCH

JRS

SERIES



Features

- Magnet action type which moves by magnetic force
- Changing cable length, terminal processing can be arranged
- Magnetic adjustable reed switch
- No power supply required for driving the switch

Specifications

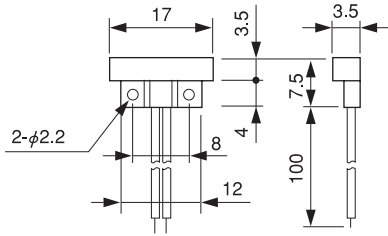
Model	JRS-901S		JRS-803		JRS-1	
Operation system	NO	NO	NC	NO	NC	
Maximum switching capacity	AC 10VA · DC 10W					
Maximum operating current	0.3A			0.5A		
Maximum operating voltage	AC 125V/DC 100V					
Contact dielectric strength	DC 150V 1min			DC 250V 1min		
Contact resistance	300mΩ and below	200mΩ and below	180mΩ and below	250mΩ and below		
Electrical life	2 × 10 ⁷ and above times (DC 12V 5mA resistance load)					
Operating temperature range	- 10 ~ 80 °C		- 10 ~ 60 °C		- 10 ~ 80 °C	
Ingress protection	IP 67					

※ Description in the catalogue is subject to change without notice. Please read the specifications thoroughly before using.

※ Please contact JEL SYSTEM for further information.

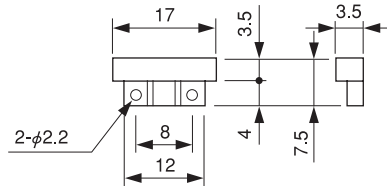
■ Dimensions(mm)

● JRS-901S



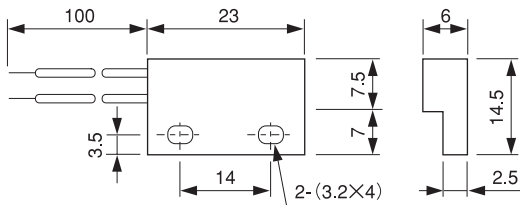
Case Material : noly
Color : Green

● JRS-901M



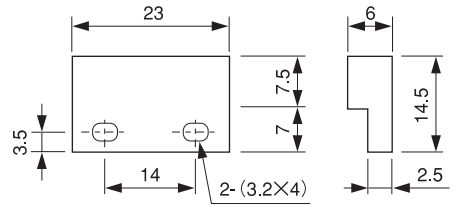
Case Material : noly
Color : Green
Magnet : Alnico 5

● JRS-803



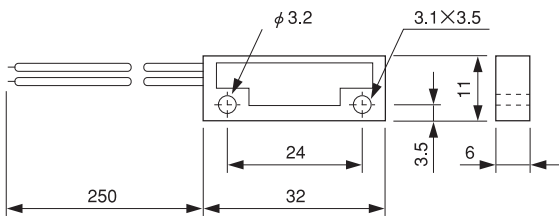
Case Material : ABS
Color : Green

● JM-803



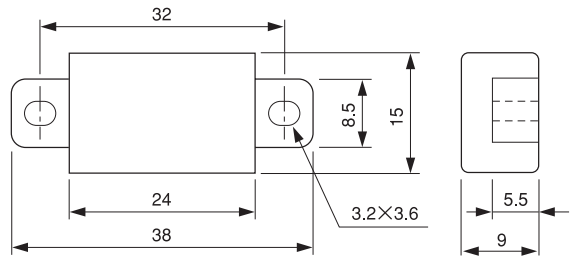
Case Material : ABS
Color : Green
Magnet : Barium ferrite

● JRS-1



Case Material : noly
Color : Black

● JMG-1



Case Material : noly
Color : Black
Magnet : Barium ferrite

※ Description in the catalogue is subject to change without notice. Please read the specifications thoroughly before using.
※ Please contact JEL SYSTEM for further information.

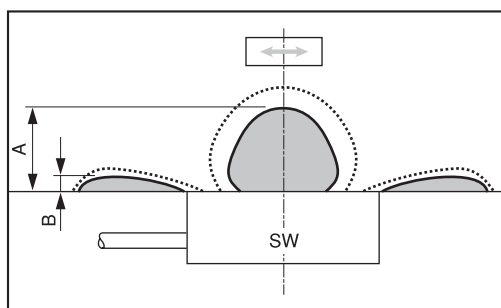
Operating distance list

JRS proximity switch

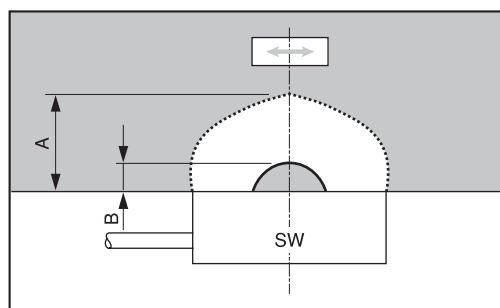
(unit : mm)

Switch	Magnet	JRS-901M	JM-803	JMG-1
JRS-901S		5 (1.5)	2 (0)	10.5 (4)
JRS-803NO		5.5 (1)	3.5 (0)	12.5 (5)
JRS-803NC		—	3.5 (0)	13 (3)
JRS-1NO		—	—	12 (4.5)
JRS-1NC		—	—	12 (1.5)

	Magnet model
Switch model	A dimension for the range of detection (B dimension for the range of detection)



"NO" range of detection



"NC" range of detection

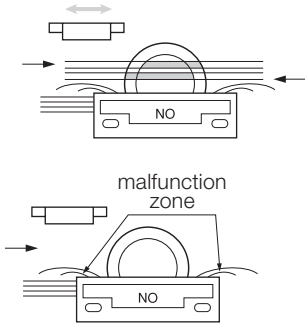


※ Description in the catalogue is subject to change without notice. Please read the specifications thoroughly before using.
 ※ Please contact JEL SYSTEM for further information.

Operation system

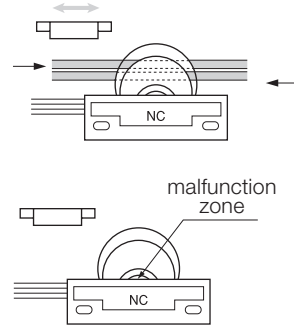
■ NO type

Contact point is "ON" state when the detection object (magnet) close the distance.

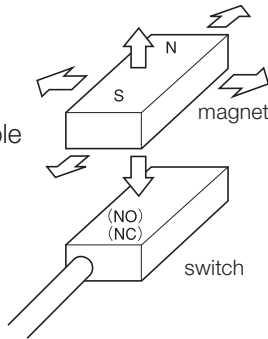


■ NC type

Contact point is "OFF" state when the detection object (magnet) close the distance.



※ The magnet is movable in all directions.



※ Description in the catalogue is subject to change without notice. Please read the specifications thoroughly before using.
 ※ Please contact JEL SYSTEM for further information.