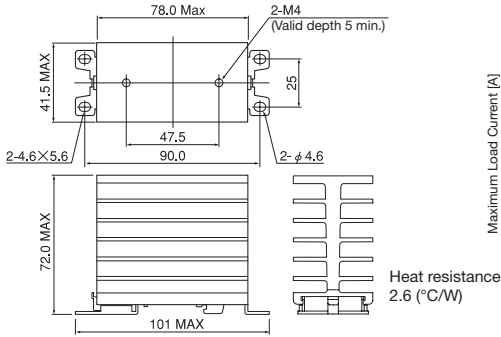


Option

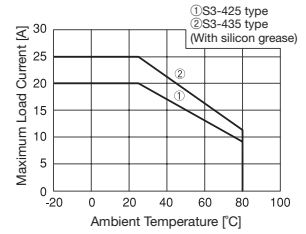
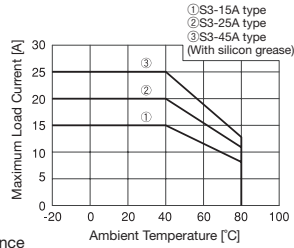
Heat-sink

Model	JHC-41-1
SUITABLE SSR	S3C Series

● Dimensions

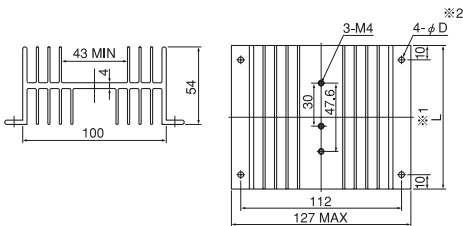


● Maximum Load Current VS Ambient Temperature



Model	JHA-□□□
SUITABLE SSR	S3C Series

● Dimensions



Model	Heat Resistance (°C/W)	※ 1 L (mm) Dimensions	※ 2 D (mm) Dimensions
JHA-70	1.52	70	4
JHA-100	1.14	100	4
JHA-150	1.00	150	4.5
JHA-200	0.85	200	4

※ Description in the catalogue is subject to change without notice. Please read the specifications thoroughly before using.

※ Please contact JEL SYSTEM for further information.