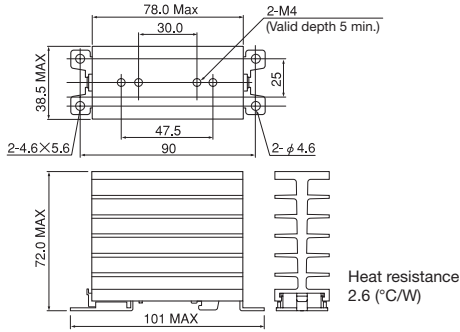


Option

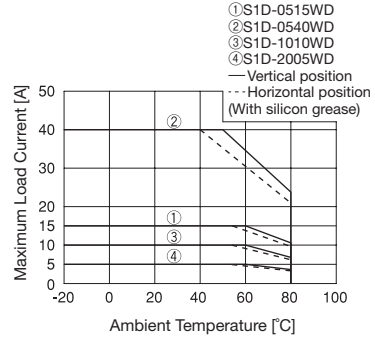
Heat-sink

Model	JHC-38-1
SUITABLE SSR	S1D Series

● Dimensions

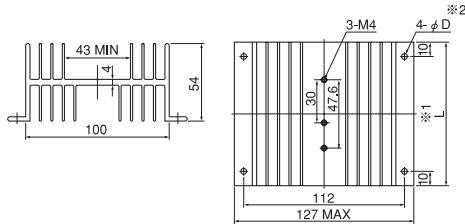


● Maximum Load Current VS Ambient Temperature



Model	JHA-□□□
SUITABLE SSR	S1D Series

● Dimensions

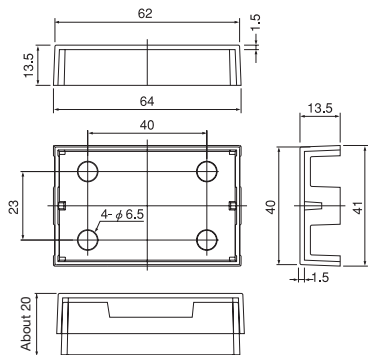


Model	Heat Resistance (°C/W)	※1 L (mm) Dimensions	※2 D (mm) Dimensions
JHA-70	1.52	70	4
JHA-100	1.14	100	4
JHA-150	1.00	150	4.5
JHA-200	0.85	200	4

Safety cover

Model	CV-S101
SUITABLE SSR	S1D Series

● Dimensions



※ Description in the catalogue is subject to change without notice. Please read the specifications thoroughly before using.
 ※ Please contact JEL SYSTEM for further information.